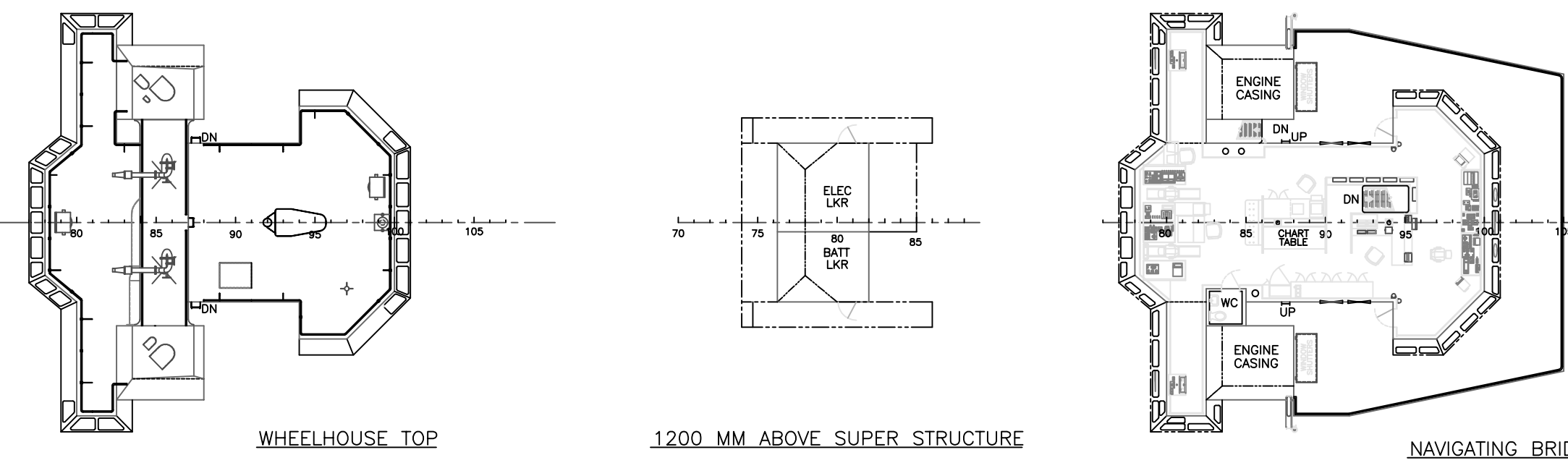
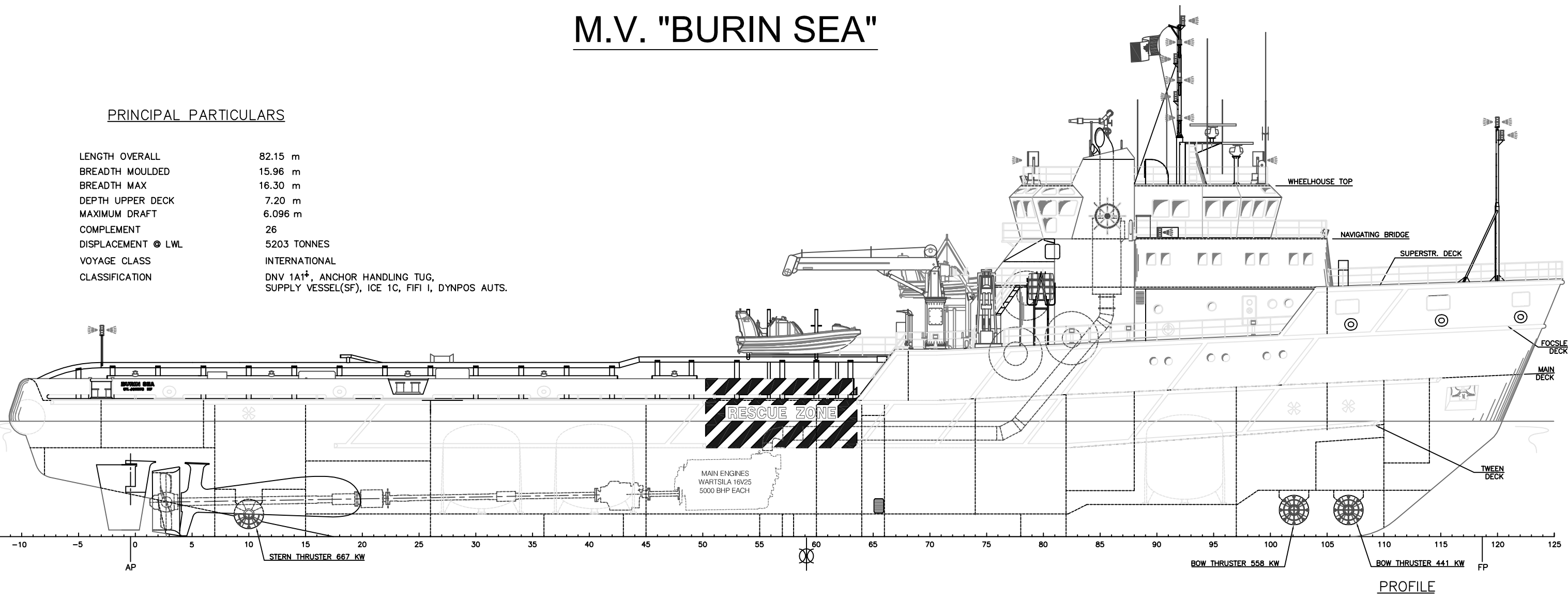


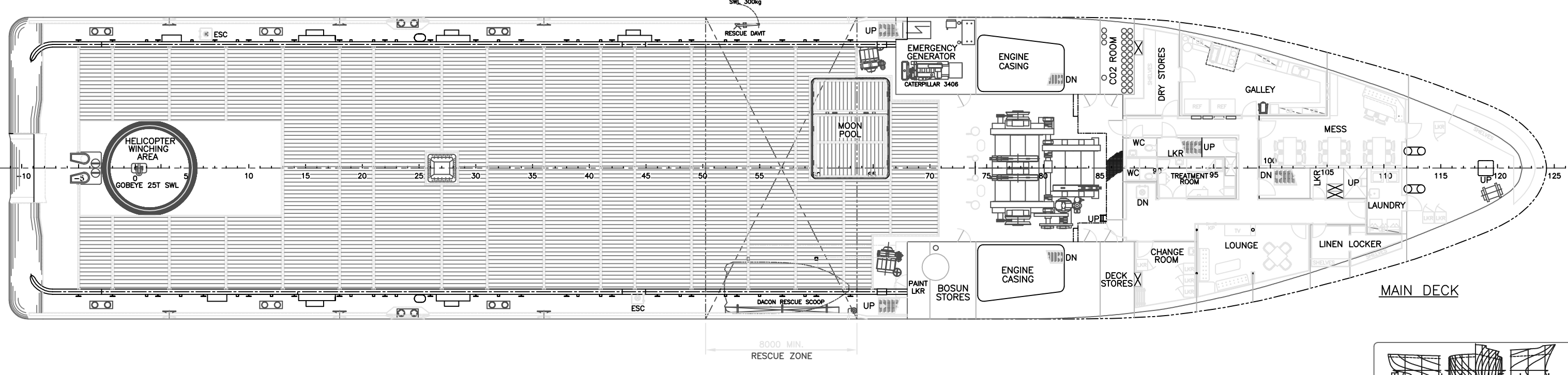
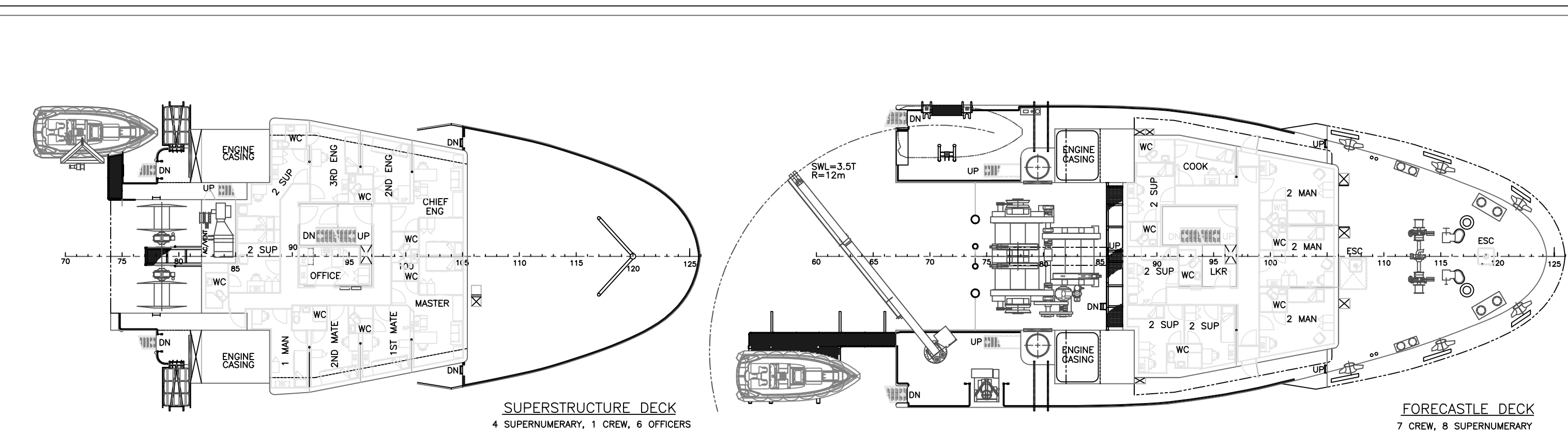
# M.V. "BURIN SEA"

## PRINCIPAL PARTICULARS

LENGTH OVERALL 82.15 m  
 BREADTH MOULDED 15.96 m  
 BREADTH MAX. 16.30 m  
 DEPTH UPPER DECK 7.20 m  
 MAXIMUM DRAFT 6.096 m  
 COMPLIMENT 26  
 DISPLACEMENT @ LWL 5203 TONNES  
 VOYAGE CLASS INTERNATIONAL  
 CLASSIFICATION DNV 1A1<sup>+</sup>, ANCHOR HANDLING TUG, SUPPLY VESSEL(SF), ICE 1C, FIFI I, DYNPOS AUTS.

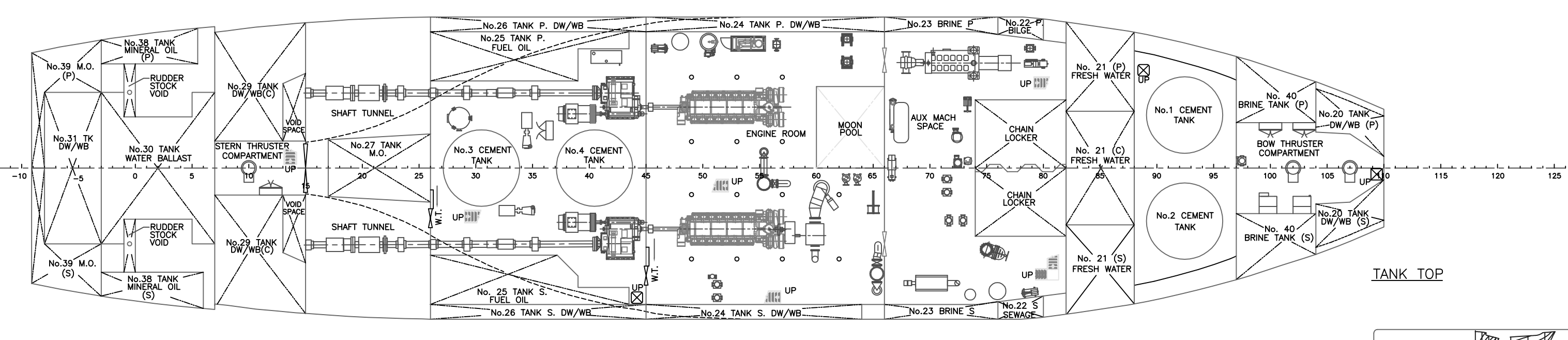
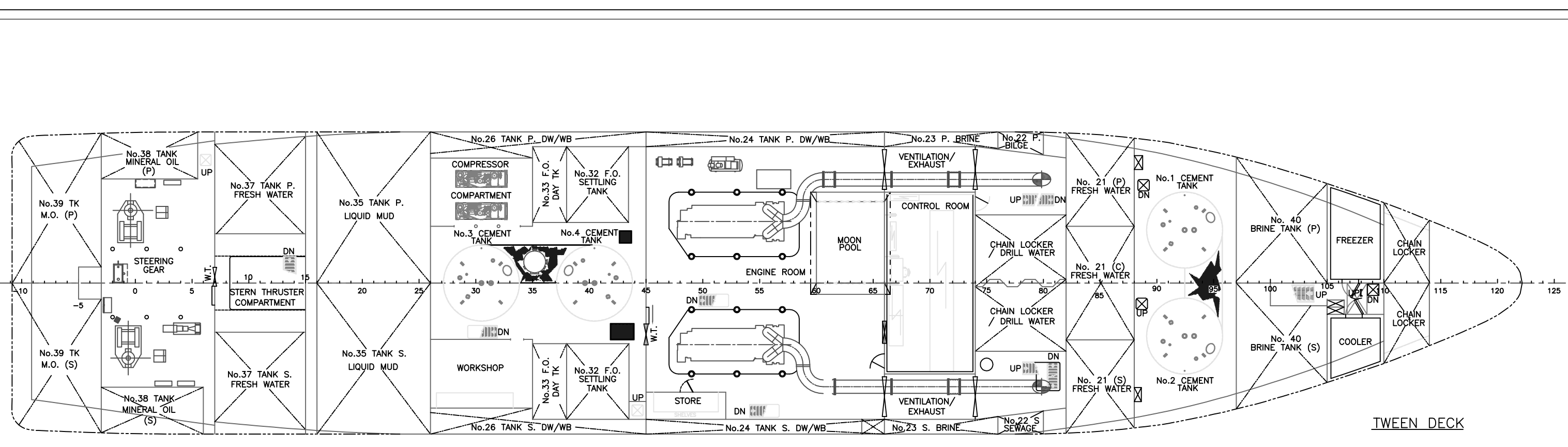


Client		SECUNDA MARINE SERVICES	
Title		M.V. "BURIN SEA" "AS BUILT" GENERAL ARRANGEMENT	
Drawn	J. Budyk	Date	MAY 17, 1999
Checked	A. Wulder	File	98051-A15
Client	Not Approved	Scale	1:100
Class		DWG NO.	98051-A15
TCRMS		Rev	Rev 1/13



LWB	LOCKER
REF	REFRIGERATOR / FREEZER
FL	FLOOR CABINET
CP	COCKPIT PANEL
CU	CURTAIN
CL	CABLE TRUNK
CP	CORRIDOR
PC	PUMP
FC	FUEL CABINET

Client		SECUNDA MARINE SERVICES	
Title		M.V. "BURIN SEA" "AS BUILT" GENERAL ARRANGEMENT	
Drawn	J. Budyk	Date	MAY 17, 1999
Checked	A. Wulder	File	98051-A15
Client	Not Approved	Scale	1:100
Class		DWG NO.	98051-A15
TCRMS		Rev	Rev 1/13



Client		SECUNDA MARINE SERVICES	
Title		M.V. "BURIN SEA" "AS BUILT" GENERAL ARRANGEMENT	
Drawn	J. Budyk	Date	MAY 17, 1999
Checked	A. Wulder	File	98051-A15
Client	Not Approved	Scale	1:100
Class		DWG NO.	98051-A15
TCRMS		Rev	Rev 1/13